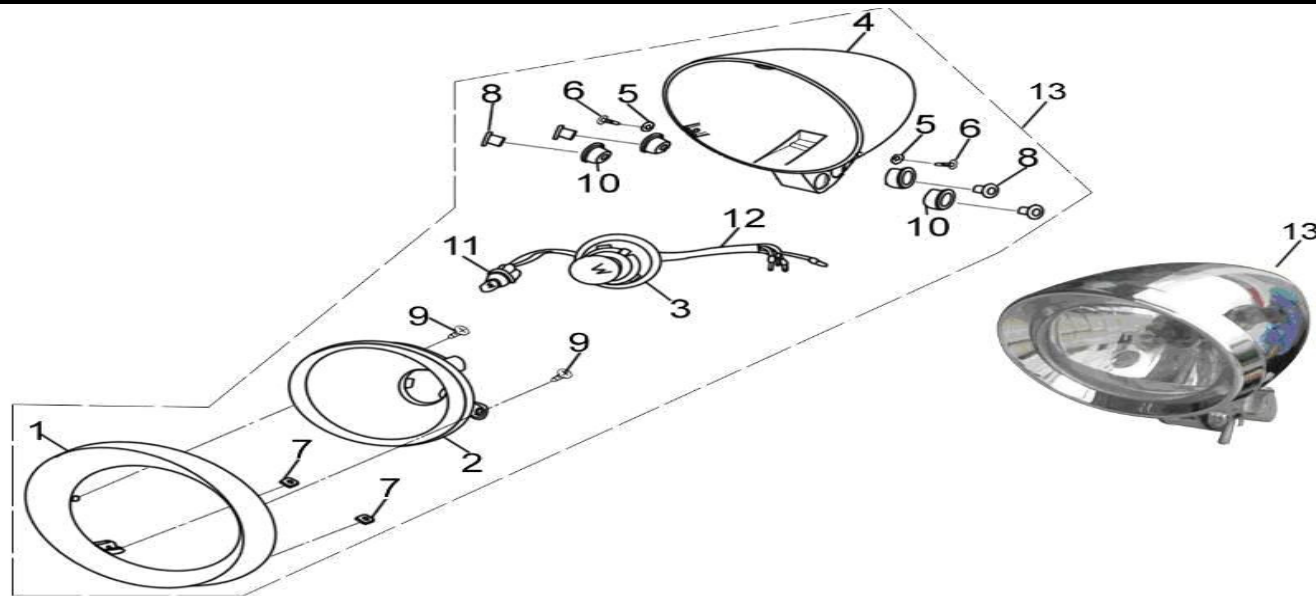


F1

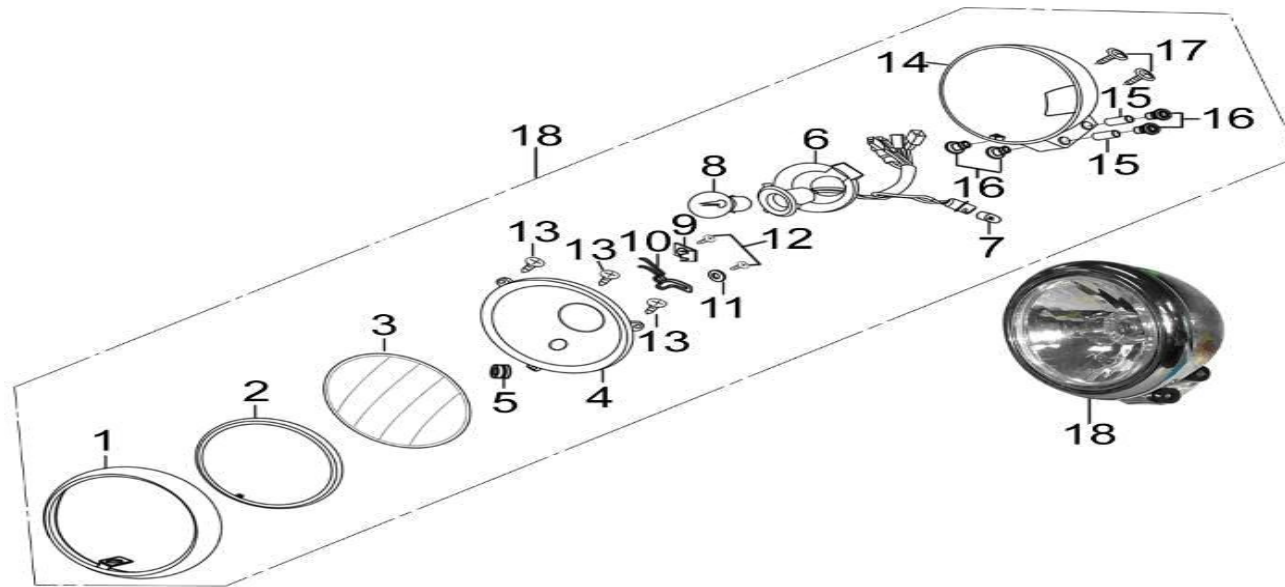
## GRUPO FAROL DELANTERO



POS.	CODIGO	DESCRIPCION	DESCRIPTION	CANT	OBSERVACIONES	VENDIBLE	PRECIO
1	75-33190	VISERA OPTICA DELANTERA	Rim comp., headlight	1			
2	75-33120	OPTICA FAROL DELANTERO	Reflector comp., headlight	1			
3	75-GB15766.1	LAMPARA 12V 35W	Bulb, 12V-35W	1			
4	75-33111	PORTA OPTICA DELANTERA	Housing, headlight	1			
5	75-GB/T96.1	ARANDELA 4	Washer, 4	2			
6	75-GB/T818	TORNILLO M4X16	Screw, M4x16	2			
7	75-93231	TUERCA M4	Nut, square, M4	2			
8	75-33915	BUJE	Bush, headlight	4			
9	75-GB/T845	TORNILLO 3,5X13	Screw, ST3.5x13	2			
10	75-33916	SALIDA DE CABLES	Grommet, headlight	4			
11	75-GB15766.1	LAMPARA 12V 5W	Bulb, 12V-5W	1			
12	75-33160	CONJUNTO DE CABLES FAROL DELANTERO	Wire	1			
13	75-33100	FAROL DELANTERO ARMADO	Headlight Assy	1			

F2

## GRUPO FAROL DELANTERO

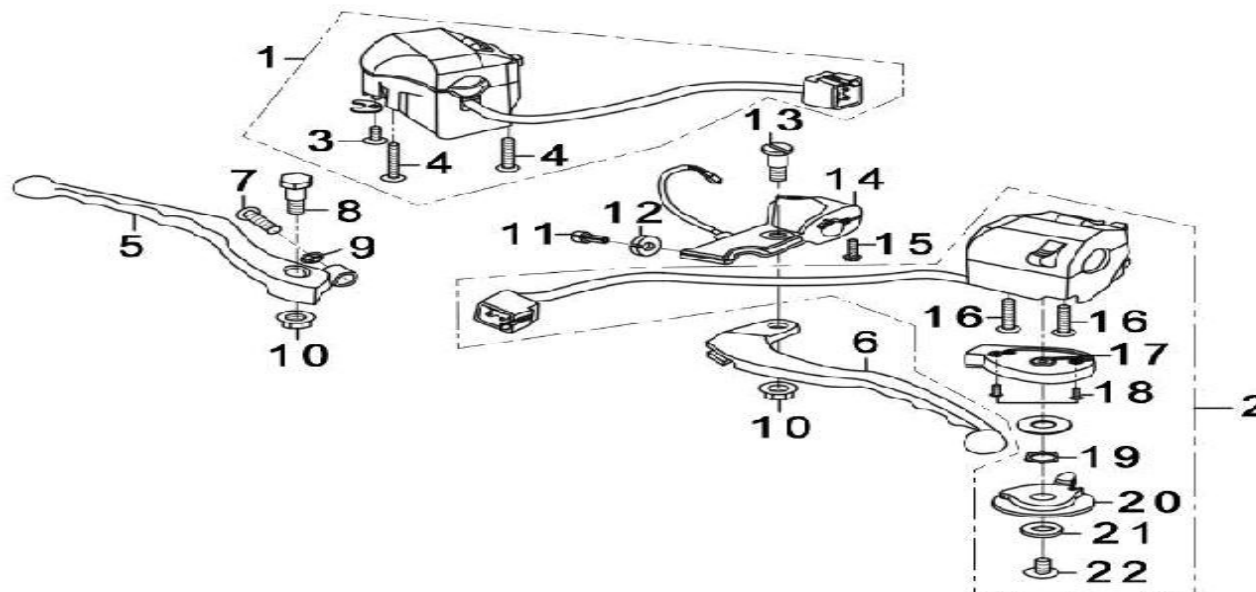


POS.	CODIGO	DESCRIPCION	DESCRIPTION	CANT	OBSERVACIONES	VENDIBLE	PRECIO
1	75-33190	ARO FAROL DELANTERO	Rim, headlight	1			
2	75-33131	ANILLO DE POLVO	Dust ring, headlight	1			
3	75-33124	LENTE	Lens, anti-dizzy	1			
4	75-33121	REFLECTOR FARO	Reflector, headlight	1			
5	75-33184	GOMA	Rubbing, parking light	1			
6	75-33140	PORTA LAMPARA	Socket, headlight	1			
7	75-GB/T15766.3	LAMPARA 12V 5W	Bulb, parking light, 12V-5W	1			
8	75-GB15766.1	LAMPARA 12V 35/35W	Bulb, headlight, 12V-35/35W	1			
9	75-33172	TUERCA FLOTANTE	Plat adjusting stay	1			
10	75-33183	SEGURO	Circlip	1			
11	75-GB/T97.1	ARANDELA 4	Washer, 4	1			
12	75-GB/T845	TORNILLO ST 2,9X9,5	Screw, ST2.9x9.5	2			
13	75-GB/T845	TORNILLO ST 4,2X9,5	Screw, ST4.2x9.5	3			
14	75-33111	PORTA OPTICA DELANTERA	Housing, headlight	1			
15	75-33915	BUJE	Bush, headlight	1			
16	75-33916	SALIDA DE CABLES	Grommet, headlight	1			
17	75-GB/T845	TORNILLO ST 4,2X13	Screw, ST4.2x13	2			
18	75-33100	FAROL ARMADO	Headlight Assy	1			



F4

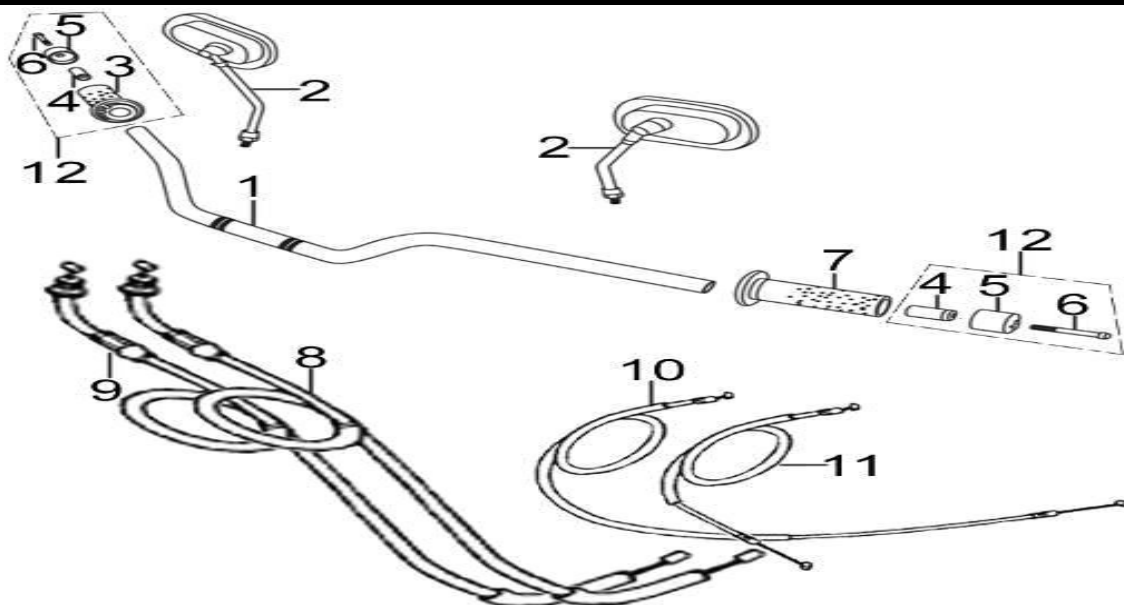
GRUPO VELOCIMETRO



POS.	CODIGO	DESCRIPCION	DESCRIPTION	CANT	OBSERVACIONES	VENDIBLE	PRECIO
1	75-35100	INTERRUPTOR DERECHO ARMADO	Handlebar switch, RH	1			
2	75-35200	INTERRUPTOR IZQUIERDO ARMADO	Handlebar switch, LH	1			
3	75-GB/T818	TORNILLO M5X10	Screw, M5×10	1			
4	75-GB/T818	TORNILLO M5X45	Screw, M5×45	2			
5	75-47511	PALANCA FRENO DELANTERO	Lever, front brake	1			
6	75-47611	PALANCA DE EMBRAGUE	Lever, clutch	1			
7	75-GB/T818	TORNILLO M6X25	Screw, M6×25	1			
8	75-93122	TORNILLO	Bolt II, shoulder	1			
9	75-GB/T6170	TUERCA M6	Nut, M6	1			
10	75-GB/T6187.1	TUERCA M6	Nut, M6	1			
11	75-93341/125-3	REGULADOR	Screw, adjusting	1			
12	75-93242/125-3	TUERCA DEL REGULADOR	Nut II, adjusting	1			
13	75-93361/125-3	TORNILLO	Screw, shoulder	1			
14	75-47621	SOPORTE PALANCA	Holder, clutch lever	1			
15	75-GB/T5780	TORNILLO M6X25	Bolt, M6×25	1			
16	75-GB/T818	TORNILLO M5X35	Screw, M5×35	2			
17	75-35283	SOPORTE CEBADOR	Seat, choke setting	1			
18	75-GB/T818	TORNILLO M3X6	Screw, M3×6	1			
19	75-GB/T955	ARANDELA 10	Washer, 10	1			
20	75-35281	PALANCA CEBADOR	Lever, choke	1			
21	75-GB/T97.1	ARANDELA 6	Washer, 6	1			

F5

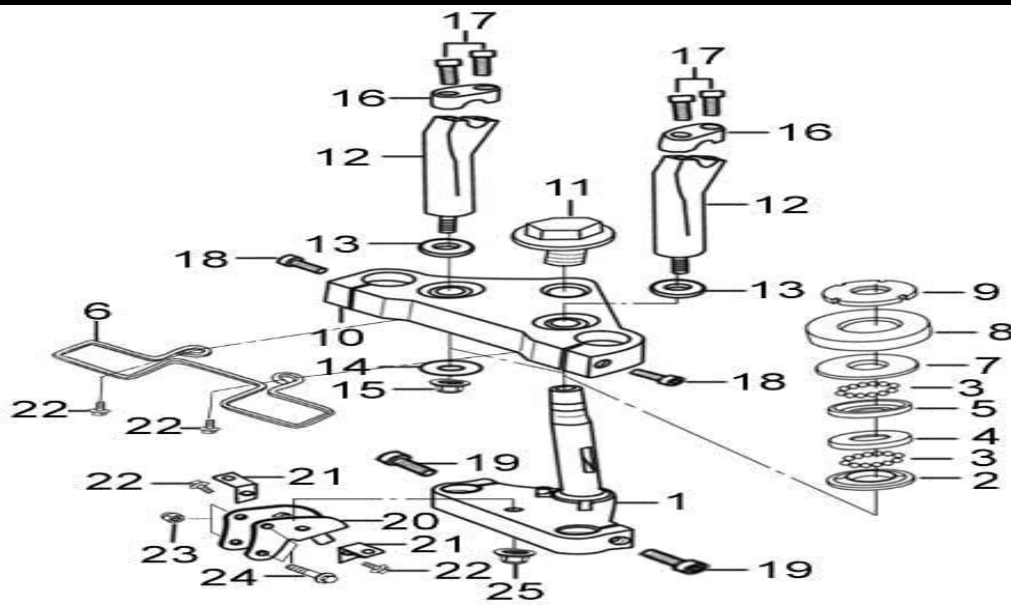
GRUPO MANUBRIO



POS.	CODIGO	DESCRIPCION	DESCRIPTION	CANT	OBSERVACIONES	VENDIBLE	PRECIO
1	75-47111	MANUBRIO	Bar, steering	1			
2	75-57100	ESPEJO RETROVISOR	Mirror, rearview	2			
3	75-47300	MANOPLA ACELERADOR	Grip, throttle	2			
4	75-47372	TAPON DE GOMA	Rubber plug	2			
5	75-47371	BALANCIADOR	Weight	2			
6	75-CB/170.1	TORNILLO M6X55	Screw, M6x55	2			
7	75-47400	MANOPLA IZQUIERDA	Grip, LH	1			
8	75-46310	CABLE ACELERADOR	Cable, throttle	1			
9	75-46330	CABLE CEBADOR	Cable, choke	1			
10	75-46200	CABLE DE EMBRAGUE	Cable, clutch	1			
11	75-46350	CABLE CEBADOR	Cable, choke	1			
12	75-47370	KIT BALANCIADOR	Weight set, steering bar	2			

F6

GRUPO DIRECCION



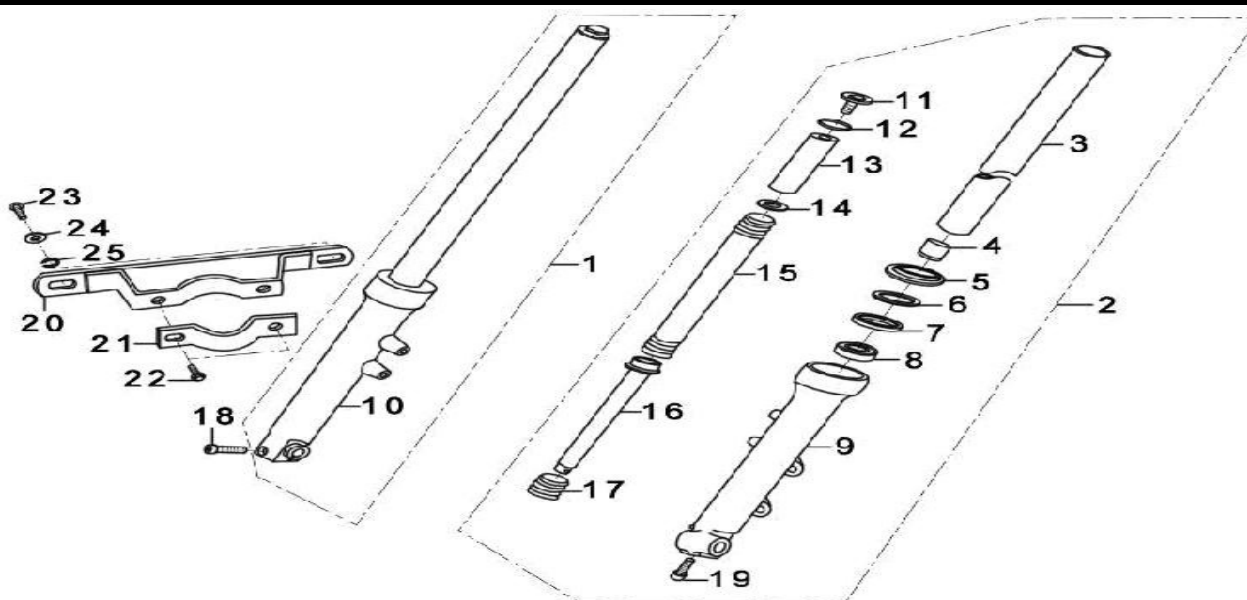
POS.	CODIGO	DESCRIPCION	DESCRIPTION	CANT	OBSERVACIONES	VENDIBLE	PRECIO
1	75-51210	CRUCETA CON CANO VELA	Stem set, steering	1			
2	75-51954	CUBETA INFERIOR	Race, bottom bearing ball	1			
3	75-GB/T308	JAULA BOLILLA	Ball, 6.3500G100b	18×2			
4	75-51953	PISTA SUPERIORCUBRE JAULA	Cover, bottom bearing	1			
5	75-51952	PISTA JAULA SUPERIOR	Race, top bearing ball	1			
6	75-56761	SOPORTE MANGUERA DE FRENO	Stay, front brake hose	1			
7	75-51951	CUBETA SUPERIOR	Cover, top bearing	1			
8	75-51975	PROTECTOR DE POLVO	Dust cover, steering stem	1			
9	75-93241	TUERCA SUPERIOR	Nut, adjusting	1			
10	75-51310	CRISTO SUPERIOR	Bridge comp., steering stem top	1			
11	75-93131	TORNILLO	Bolt	1			
12	75-47121	SOPORTE INFERIOR MANUBRIO	Holder, steering bar pipe	2			
13	75-47125	DISTANCIADOR	Pad, holder	2			
14	75-GB/T96.1	ARANDELA 10	Washer, 10	2			
15	75-GB/T6187.2	TUERCA M10 X1,25	Nut, M10×1.25	2			
16	75-47151	SOPORTE SUPERIOR MANUBRIO	Clamp, steering bar, RH	2			
17	75-GB/T70.1	TORNILLO M8X30	Screw, M8×30	4			
18	75-GB/T70.1	TORNILLO M8X35	Screw, M8×35	2			
19	75-GB/T70.1	TORNILLO M10X1,25X30	Screw, M10×1.25×30	2			
20	75-33170	PORTA LUCES DE GIRO	Stay comp., headlight adjusting	1			





F8

GRUPO SUSPENSIÓN DELANTERA

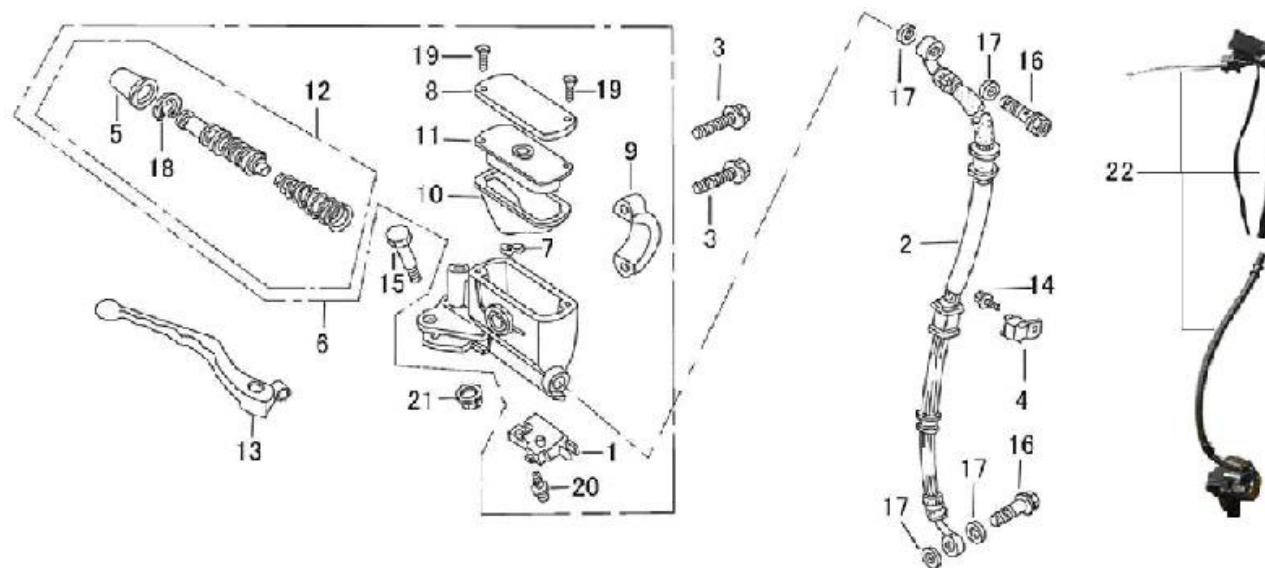


POS.	CODIGO	DESCRIPCION	DESCRIPTION	CANT	OBSERVACIONES	VENDIBLE	PRECIO
1	75-52400	BARRAL DELANTERO DERECHO	Shock absorber, RH	1			
2	75-52500	BARRAL DELANTERO IZQUIERDO	Shock absorber, LH	1			
3	75-52411	BARRAL	Tube, front fork	2			
4	75-52444	TUBO DEL PISTON	Tube, piston	2			
5	75-52439	ANILLO DE POLVO	Dust ring	2			
6	75-52438	RETENEDOR	Retainer	2			
7	75-52437	RETEN	Oil seal	2			
8	75-52447	O-RING	Ring, spring lower	2			
9	75-52531	PIERNA BARRAL IZQUIERDO	Case comp., front bottom, LH	1			
10	75-52431	PIERNA BARRAL DERECHA	Case comp., front bottom, RH	1			
11	75-52442	TORNILLO	Bolt	2			
12	75-52436	O-RING	Ring	2			
13	75-52434	TUBO INTERIOR	Pipe, inner	2			
14	75-52446	RESORTE	Spring	2			
15	75-52441	MANGA	Sleeve	2			
16	75-52433	TUBO DE PISTON	Bush, setting	2			
17	75-52435	RESORTE	Spring	2			
18	75-CB / T70. 1	TORNILLO M8X35	Screw, M8 x 35	1			
19	75-CB / T70. 1	TORNILLO M8X25	Screw, M8 x 25	2			
20	75-53710	PORTA PATENTE	Bracket comp., front license	1			



F9

## GRUPO SISTEMA DE FRENO DELANTERO

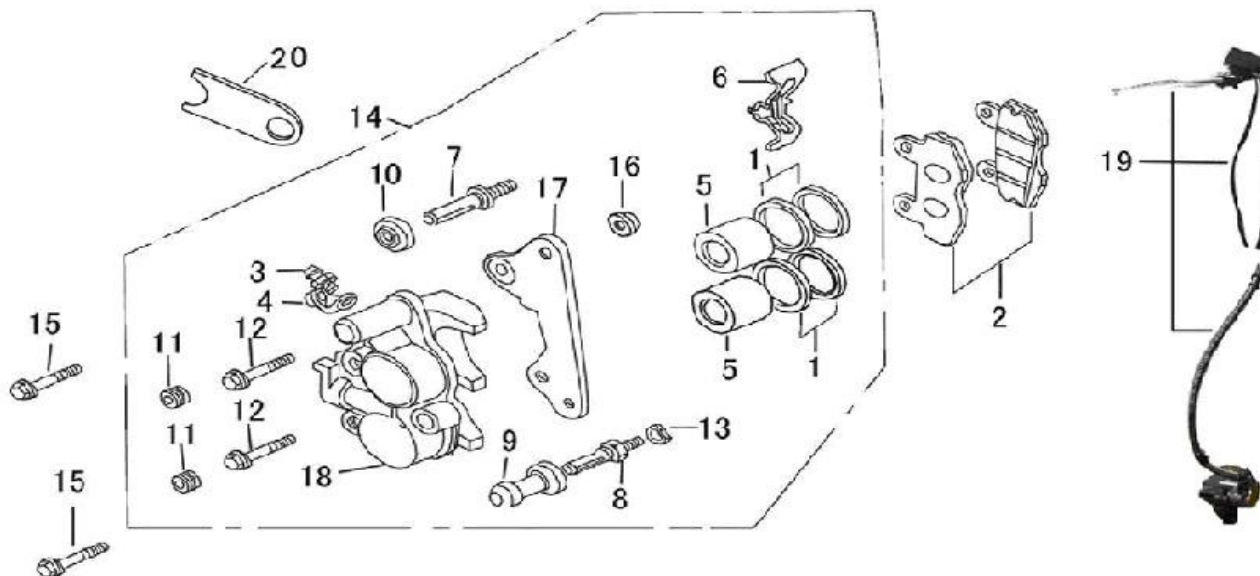


POS.	CODIGO	DESCRIPCION	DESCRIPTION	CANT	OBSERVACIONES	VENDIBLE	PRECIO
1	75-35310	BULBO DELANTERO	Switch, front brake	1			
2	75-56700	FLEXIBLE DE FRENO	Hose, front brake	1			
3	75-GB/T16674.1	TORNILLO M6X22	Bolt, M6×22	2			
4	75-56772	SOPORTE FLEXIBLE	Cirelip II, hose	1			
5	75-56427	CAPUCHON	Boot	1			
6	75-56400	KIT BOMBA DE FRENO	Cylinder, front brake master	1			
7	75-56424	PROTECTOR	Protector	1			
8	75-56423	TAPA RECIPIENTE	Cover, master cylinder	1			
9	75-56422	SOPORTE BOMBA	Holder, master cylinder	1			
10	75-56426	DIAFRAGMA	Diaphragm	1			
11	75-56425	PLACA DIAFRAGMA	Plate, diaphragm	1			
12	75-56430	KIT EMBOLO DE FRENO	Plunger	1			
13	75-47511	PALANCA DE FRENO	Lever, front brake	1			
14	75-GB/T16674.1	TORNILLO M6X10	Bolt, M6×10	1			
15	75-93721/150-A	TORNILLO PIVOT	Bolt, pivot	1			
16	75-GB/T16674.1	TORNILLO M10X22	Bolt, oil, M10×22	2			
17	75-GB/T97.1	ARANDELA 10	Washer, 10	4			
18	75-GB/T896	SEGURO 6	Snap ring, 6	1			
19	75-GB/T819.1	TORNILLO M4X12	Screw, M4×12	2			
20	75-GB/T9074.1	TORNILLO M4X12	Screw, M4×12	1			



F10

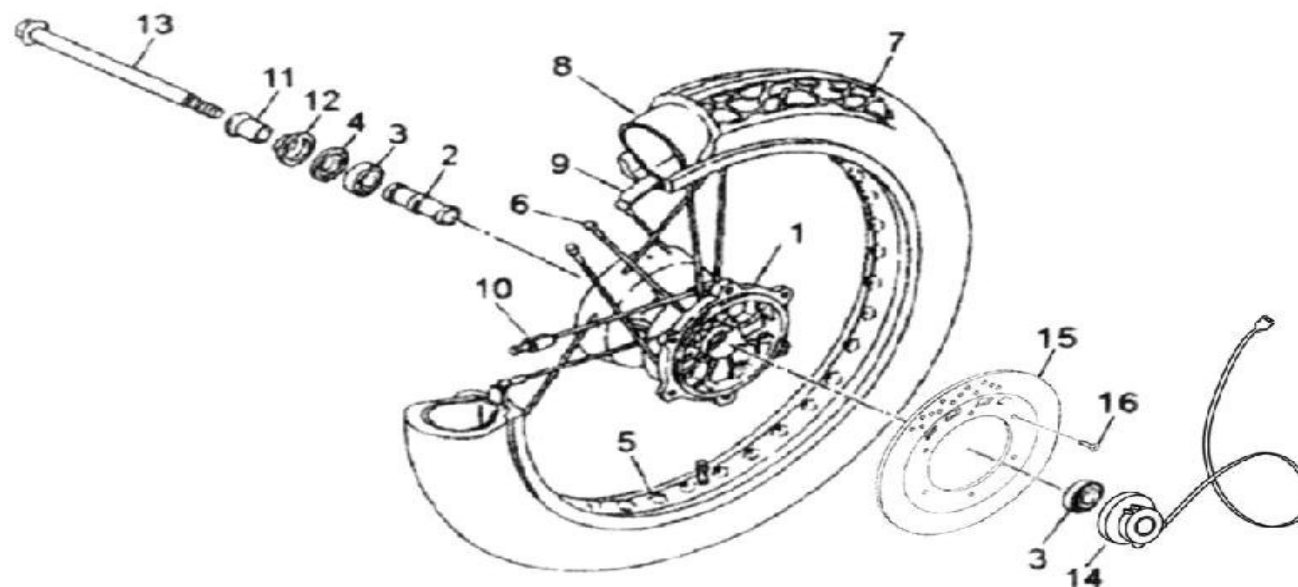
## GRUPO CALIPER DE FRENO DELANTERO



POS.	CODIGO	DESCRIPCION	DESCRIPTION	CANT	OBSERVACIONES	VENDIBLE	PRECIO
1	75-56544	SELLO PISTON FRENO DEL	Seal set, piston	2			
2	75-56521	PASTILLA DE FRENO	Pad set, front brake	1			
3	75-93346	PURGADOR	Screw, bleeding	1			
4	75-56547	CAPUCHON PURGADOR	Cap, bleeding screw	1			
5	75-56541	PISTON	Piston	2			
6	75-56571	RESORTE DE ZAPATA	Spring, pad	1			
7	75-93141	TORNILLO	Bolt	1			
8	75-93142	TORNILLO	Bolt II	1			
9	75-56548	TORNILLO CERROJO	Bush, bolt	1			
10	75-56549	ENCHUFE	Boot	1			
11	75-56551	TAPON	Plug	2			
12	75-GB/T16674.1	TORNILLO M10X32	Bolt, M10×32	2			
13	75-GB/T193	ARANDELA 10	Washer, 10	1			
14	75-56500	KIT CALIPER DE FRENO	Caliper, front brake	1			
15	75-GB/T16674.1	TORNILLO M8X40	Bolt, M8×40	2			
16	75-GB/T6187.1	TUERCA M8	Nut, M8	1			
17	75-56560	SOPORTE FRENO DELANTERO	Bracket, front brake	1			
18	75-56510	CUERPO CALIPER	Body, caliper	1			
19	75-56000	CALIPER ARMADO	Brake Assy, front hydraulic	1			
20	75-37983	SENSOR	Plate, speed sensor line	1			

F11

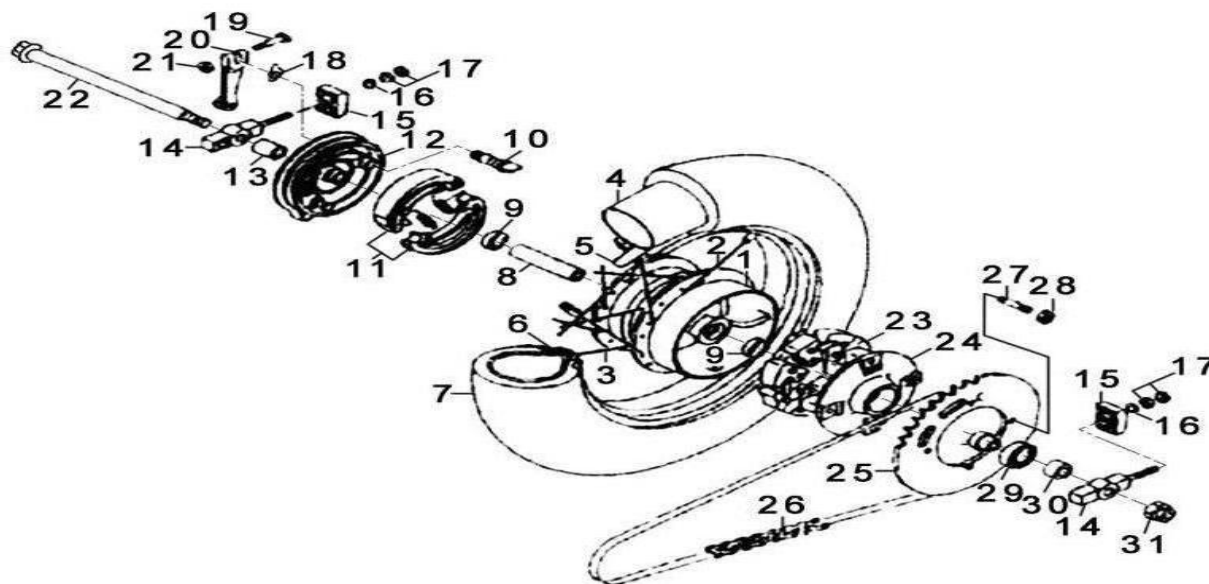
GRUPO RUEDA DELANTERA



POS.	CODIGO	DESCRIPCION	DESCRIPTION	CANT	OBSERVACIONES	VENDIBLE	PRECIO
1	75-54211	MAZA RUEDA DELANTERA	Hub, front wheel	1			
2	75-54281	DISTANCIADOR	Bush, inside	1			
3	75-GB/T276	RODAMIENTO 6202	Bearing, 60202	2			
4	75-GB/T13871	RETEN	Oil seal, 20357	1			
5	75-54611	ARO LLANTA	Rim, front wheel	1			
6	75-54630	RAYO INTERIOR	Spoke set, inner	18			
7	75-GB/T2983	CUBIERTA 300X18	Tire, 3.00-18	1			
8	75-GB7036.2	CAMARA 300X18	Tube, 3.00-18	1			
9	75-54881	PROTECTOR DE CAMARA	Flap, front wheel	1			
10	75-54640	RAYO EXTERIOR	Spoke set, outer	18			
11	75-54912	DISTANCIADOR	Bush, RH	1			
12	75-54283	ANILLO DE POLVO	Dust ring, RH	1			
13	75-54911	EJE DE RUEDA	Axle, front	1			
14	75-37870	REENVIO	Gear box, speedometer	1			
15	75-56311	DISCO DE FRENO	Disc, front brake	1			
16	75-93132	TORNILLO	Bolt II	6			

F12

GRUPO RUEDA TRASERA



POS.	CODIGO	DESCRIPCION	DESCRIPTION	CANT	OBSERVACIONES	VENDIBLE	PRECIO
1	75-64211	MAZA RUEDA TRASERA	Hub, rear wheel	1			
2	75-64640	SET RAYO EXTERIOR	Spoke set, rear wheel outer	18			
3	75-64630	SET RAYO INTERIOR	Spoke set	18			
4	75-GB7036.2	CAMARA 130/90-15	Tube, 130/90-15	1			
5	75-64811	PROTECTOR DE CAMARA	Flap, rear wheel	1			
6	75-64611	ARO DE LLANTA	Rim, rear wheel	1			
7	75-GB/T2983	CUBIERTA 130/90-15	Tyre, 130/90-15	1			
8	75-64281	DISTANCIADOR	Bush, inner	1			
9	75-GB/T276	RODAMIENTO 6202	Bearing, 6202RS	2			
10	75-65112	LEVA INTERNA	Cam, brake	1			
11	75-65120	ZAPATAS DE FRENO	Shoe, brake	2			
12	75-65130	TAPA DE MAZA	Panel, rear brake	1			
13	75-64912	DISTANCIADOR	Bush, RH	1			
14	75-61411	TIRA CADENA	Adjuster, chain	2			
15	75-61421	RETENEDOR	Retainer	2			
16	75-GB/T97.1	ARANDELA 8	Washer, 8	2			
17	75-GB/T6170	TUERCA M8	Nut, M8	4			
18	75-65115	INDICADOR DE FRENO	Indicator, brake wear	1			
19	75-GB/T5783	TORNILLO M6X35	Bolt, M6×35	1			
20	75-65113	LEVA EXTERIOR	Arm, brake	1			





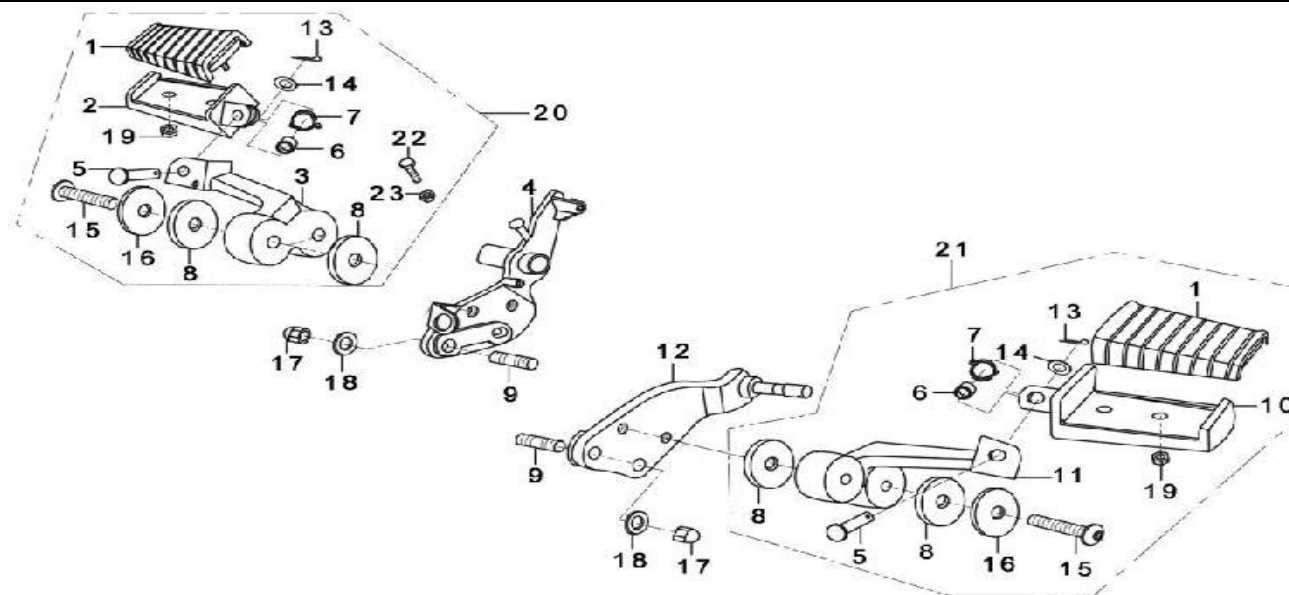






F17

## GRUPO APOYA PIE DELANTERO

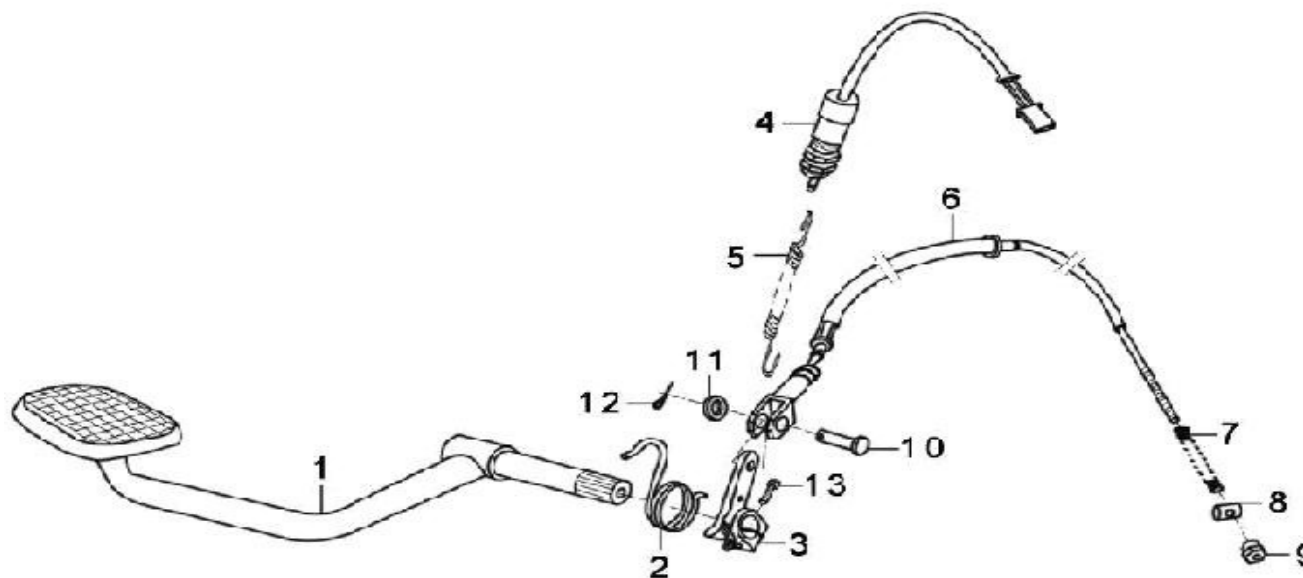


POS.	CODIGO	DESCRIPCION	DESCRIPTION	CANT	OBSERVACIONES	VENDIBLE	PRECIO
1	75-42330	GOMA APOYA PIE TRASERO	Treadle comp., rider	2			
2	75-42321	SOPORTE GOMA PEDALIN	Bracket, rider treadle, RH	1			
3	75-42340	SOPORTE PEDALIN DELANTERODERECHO	Rod comp., rider footrest, RH	1			
4	75-42312	SOPORTE DERECHO	Plate, rider footrest, RH	1			
5	75-GB/T882	PERNO 8X25	Pin, 8×25	2			
6	75-93611	DISTANCIADOR	Bush	2			
7	75-42322	RESORTE CON RETROCESO	Return spring	2			
8	75-42353	ARANDELA DE GOMA	Rubber, rider footrest cushion	8			
9	75-GB/T899	TORNILLO M10X30	Bolt, M10×30	4			
10	75-42421	SOPORTE GOMA PEDALIN DELANTERO IZQUIERDO	Bracket, rider treadle, LH	1			
11	75-42440	SOPORTE PEDALIN DELANTERO IZQUIERDO	Rod comp., rider footrest, LH	1			
12	75-24770	SOPORTE	Bracket, gearshift rod	1			
13	75-GB/T91	SEGURO 2X25	Pin, 2×25	2			
14	75-GB/T95	ARANDELA 8	Washer, 8	2			
15	75-93351	TORNILLO M10X45	Screw, M10×45	4			
16	75-GB/T96.1	ARANDELA 10	Washer, 10	4			
17	75-GB/T923	TUERCA M10X1,5	Nut, M10×1.5	4			
18	75-GB/T97.1	ARANDELA 10	Washer, 10	4			
19	75-GB/T6184	TUERCA M6	Nut, M6	4			
20	75-42310	KIT PEDALIN DELANTERO DERECHO ARMADO	Front footrest, RH	1			



F18

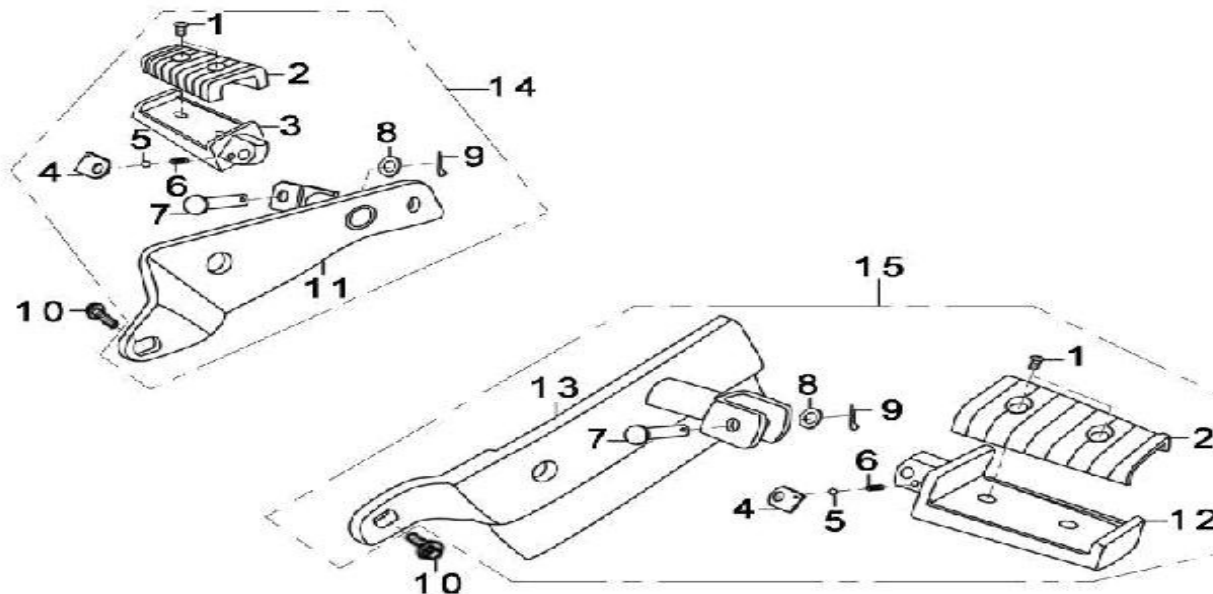
GRUPO PEDAL DE FRENO



POS.	CODIGO	DESCRIPCION	DESCRIPTION	CANT	OBSERVACIONES	VENDIBLE	PRECIO
1	75-65410	PEDAL FRENO TRASERO	Pedal, rear brake	1			
2	75-65941	RESORTE CON RETORNO	Spring, returning	1			
3	75-65430	BASCULANTE FRENO TRASERO	Swinging arm, rear brake	1			
4	75-35330	BULBO FRENO TRASERO	Switch, stop	1			
5	75-35913	RESORTE BULBO	Extension spring, rear brake switch	1			
6	75-46410	CABLE FRENO	Cable, rear brake	1			
7	75-65511	RESORTE	Spring, rear brake link	1			
8	75-65512/125-3	GUIA CABLE DE FRENO	Pin, rear brake link	1			
9	75-93245/125-3	TUERCA	Nut, adjusting	1			
10	75-GB/T882	PERNO 6X16	Pin, 6×16	1			
11	75-GB/T97.1	ARANDELA	Washer, 6	1			
12	75-GB/T91	PERNO 2X20	Pin, 2×20	1			
13	75-GB/T5783	TORNILLO M6X25	Bolt, M6×25	1			

F19

GRUPO APOYA PIE TRASERO

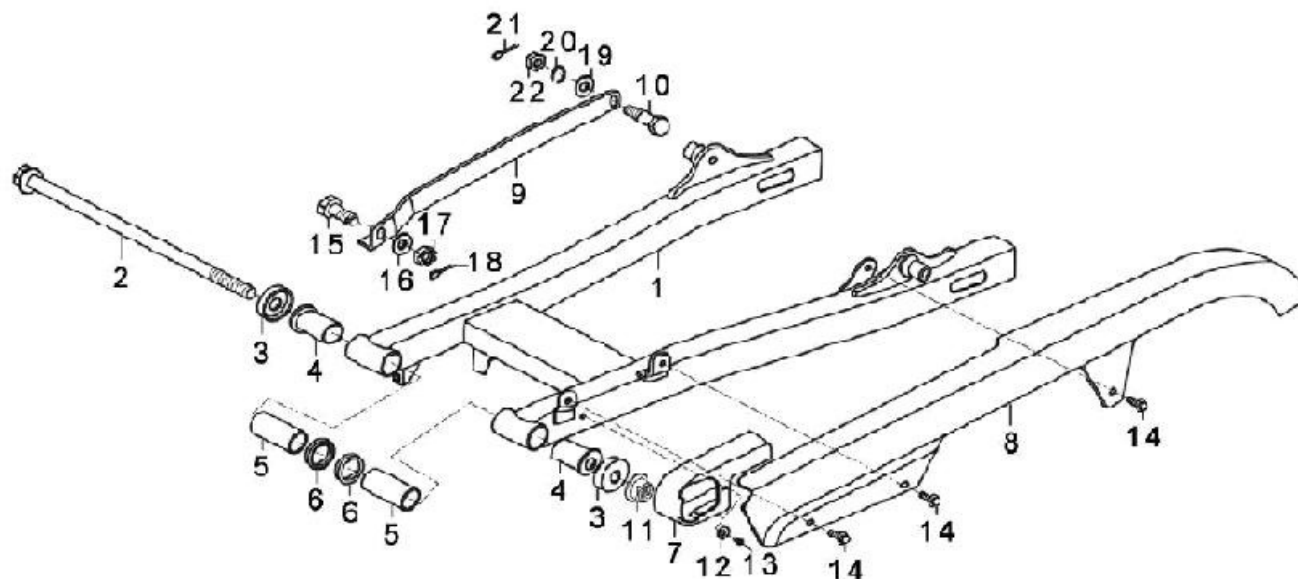


POS.	CODIGO	DESCRIPCION	DESCRIPTION	CANT	OBSERVACIONES	VENDIBLE	PRECIO
1	75-GB/T818	TORNILLO M6X12	Screw, M6×12	4			
2	75-42511	GOMA POSAPIE PASAJERO	Treadle, pillion	2			
3	75-42541	SOPORTE GOMA PEDALIN TRASERO DERECHO	Rod, pillion footrest, RH	1			
4	75-42544	BARRA DEL POSAPIE	Catch, pillion footrest rod	2			
5	75-42514	BOLILLA	Ball, pillion treadle	2			
6	75-42513	RESORTE	Spring, pillion treadle	2			
7	75-GB/T882	PERNO 6X32	Pin, 6×32	2			
8	75-GB/T97.1	ARANDELA 6	Washer, 6	2			
9	75-GB/T91	SEGURO 12X20	Pin, 1.2×20	2			
10	75-GB/T16674.1	TORNILLO M8X20	Bolt, M8×20	2			
11	75-42523	SOPORTE PEDALIN DERECHO	Plate, pillion footrest, RH	1			
12	75-42641	SOPORTE GOMA PEDALIN TRASERO IZQUIERDO	Rod, pillion footrest, LH	1			
13	75-42623	SOPORTE PEDALIN IZQUIERDO	Plate, pillion footrest, LH	1			
14	75-42510	KIT PEDALIN TRASERO DERECHO	Footrest comp., pillion, RH	1			
15	75-42610	KIT PEDALIN TRASERO IZQUIERDO	Footrest comp., pillion, LH	1			



F21

GRUPO BALANCIN



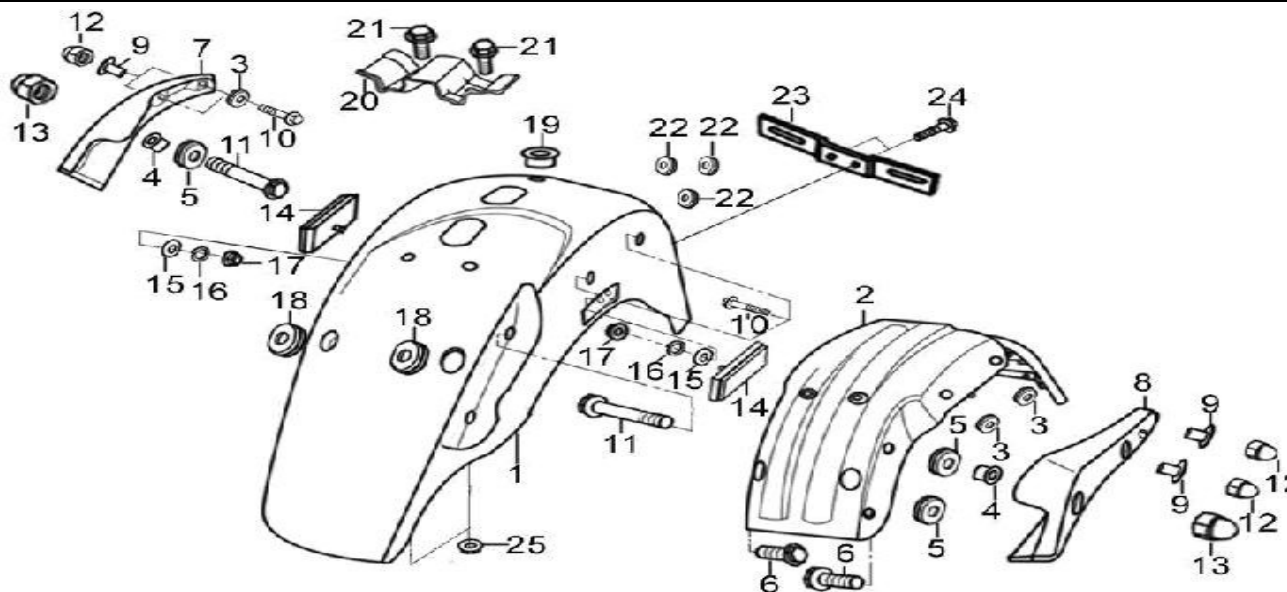
POS.	CODIGO	DESCRIPCION	DESCRIPTION	CANT	OBSERVACIONES	VENDIBLE	PRECIO
1	75-61100	BALANCIN	Rear fork weldment	1			
2	75-61214	EJE DE BALANCIN	Shaft	2			
3	75-61213	ANILLO DE POLVO	Dust ring	2			
4	75-61212	DISTANCIADOR	Bush, outer	2			
5	75-61211	DISTANCIADOR INTERNO	Bush, inner	2			
6	75-61245	RETEN	Oil seal	1			
7	75-61215	GUIA CADENA	Guard, chain	1			
8	75-61300	CUBRE CADENA	Chaincase	1			
9	75-61216	BARRA TOPE DE MAZA	Pull rod	1			
10	75-93122	TORNILLO	Bolt II	2			
11	75-GB/T6187. 2	TUERCA M12X1,25	Nut, M12×1.25	1			
12	75-GB/T97. 1	ARANDELA 6	Washer, 6	1			
13	75-GB/T818	TORNILLO M5X12	Screw, M5×12	4			
14	75-GB/T16674. 1	TORNILLO M6X10	Bolt, M6×10	4			
15	75-GB/T31. 1	TORNILLO M10X20	Bolt, M10×20	2			
16	75-GB/T97. 1	ARANDELA 10	Washer, 10	2			
17	75-GB/T9457	TUERCA M10X1,25	Nut, M10×1.25	2			
18	75-GB/T91	SEGURO 2X20	Pin, 2×20	2			
19	75-GB/T97. 1	ARANDELA 8	Washer, 8	1			
20	75-GB/T93	ARANDELA 8	Washer, 8	1			





F23

## GRUPO GUARDABARRO TRASERO



POS.	CODIGO	DESCRIPCION	DESCRIPTION	CANT	OBSERVACIONES	VENDIBLE	PRECIO
1	75-63111	GUARDABARRO TRASERO	Fender, rear	1			
2	75-63920	SOPORTE GUARDABARRO TRASERO	Bracket, rear fender	1			
3	75-63917	ARANDELA	Boot II, rear fender	4			
4	75-63918	DISTANCIADOR	Bush, rear fender	2			
5	75-63916	ARANDELA	Boot, rear fender	4			
6	75-GB/T16674.2	TORNILLO M10X25X1.25	Bolt, M10x25x1.25	2			
7	75-43581	ORNAMENTA DERECHA	Ornament, rear, RH.	1			
8	75-43591	ORNAMENTA IZQUIERDA	Ornament, rear, LH	1			
9	75-93551	ARANDELA	Washer	4			
10	75-GB/T16674.1	TORNILLO M8X25	Bolt, M8x25	4			
11	75-GB/T16674.2	TORNILLO M10X60X1.25	Bolt, M10x1.25x60	2			
12	75-GB/T923	TUERCA M8	Nut, M8	4			
13	75-GB/T923	TUERCA M 10X1.25	Nut, M10x1.25	2			
14	75-33830	CATADIOPTRICO	Reflector, side	2			
15	75-GB/T97.1	ARANDELA 6	Washer, 6	2			
16	75-GB/T93	ARANDELA 6	Washer, 6	2			
17	75-GB/T6177.1	TUERCA M6	Nut, M6	2			
18	75-33977	SALIDA DE CABLES	Grommet, taillight	2			
19	75-93552	ARANDELA	Washer II	1			
20	75-44960	SOPORTE ASIENTO DE PASAJEROS	Stay comp., pillion seat	1			

